



## V-900IJ (Inkjet Series)

### Overview

An economically priced continuous inkjet feeder for feeding flat and multi-thickness products consistently at high speeds into mail production streams, including inkjet and tabber systems. Feed a wide variety of flat and multi-thickness products including manuals, cards, envelopes, flat cartons, perfect bound magazines, saddle-stitched magazines, sheet paper, and much more.

### Standard Features

- Long lasting natural gum rubber feed belts
- Independent side guide positioning
- Self-adjusting discharge hold down
- Patented product separator
- Suction cup mounting

### Optional Features

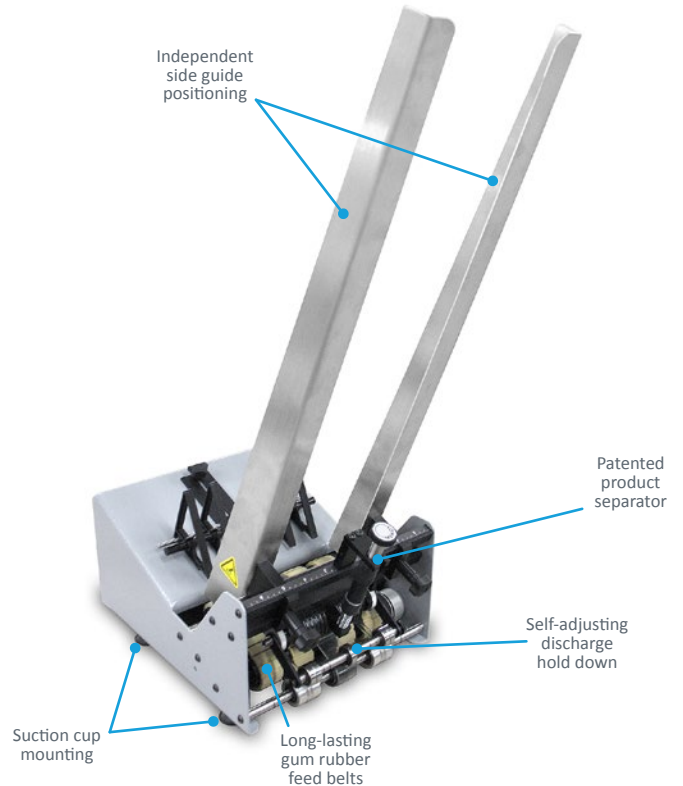
- Cabinet Mounting Base

### Applications (ask us about your application)

- |            |          |               |
|------------|----------|---------------|
| Addressing | Coding   | Ink Jet Bases |
| Labeling   | Printing | Scanning      |
| Tabbing    |          |               |

### Products (ask us about your products)

- |             |                |                  |
|-------------|----------------|------------------|
| Sheet Paper | C-Folds        | Z-Folds          |
| Manuals     | Business Cards | Payment Booklets |
| Cardstock   | Envelopes      | Plastic Cards    |
| Post Cards  | Brochures      | and more...      |



Specifications	
Maximum Product Size	9.25 W x 11 L in (235 x 279 mm)
Minimum Product Size	2.125 W x 2.25 L in (54 x 57 mm)
Min/Max Product Thickness	.003 - .250in (.076 - 6.35 mm)
Belt Speed	4800 in/min (121.9 m/min)
Utilities	115vac, 60Hz, 2.5A
Weight	Only 19 lbs. (8.62 kg)
Warranty	One year limited
<small>Other sizes and thickness capabilities available. Contact us for your application.</small>	

Footprint drawing available at:  
[www.streamfeeder.com/footprints.html](http://www.streamfeeder.com/footprints.html)  
or scan the QR Code



AMBEC | Fleetwood | Goldco | Nigrelli | Streamfeeder | SWF | Thiele

