



## V-1400IJ (Inkjet Series)

### Overview

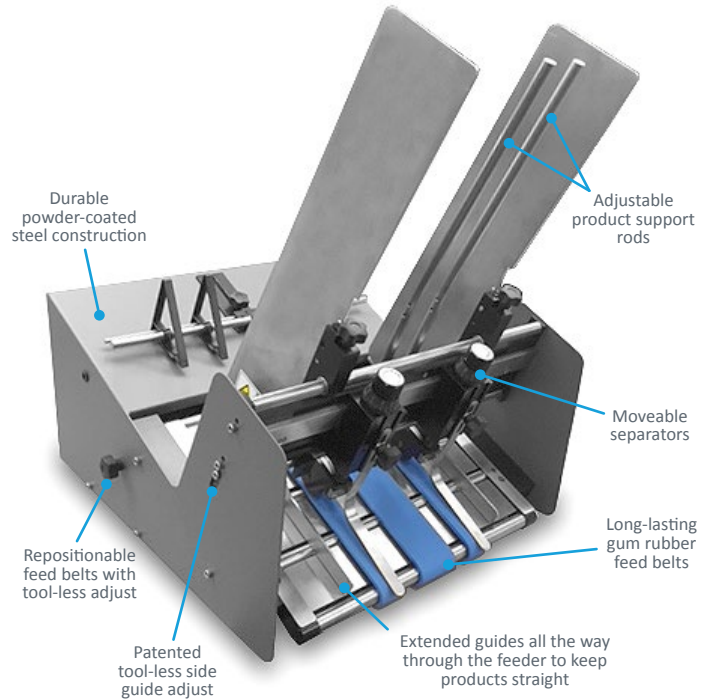
The most reliable and safest continuous IJ feeder in the market today! Capable of feeding flat and multi-thickness products into mail production streams including; inkjet and tabber systems, consistently at high speeds with exceptional alignment qualities.

The importance of straight feeding and minimizing skewing can help improve USPS® MERLIN™ verification results, leading to significant savings for you.

Feed a wide variety of flat and multi-thickness products including; manuals, cards, envelopes, flat cartons, perfect bound magazines, saddle-stitched magazines, sheet paper, and much more.

### Standard Features

- Repositionable feed belts • Patented side guide hopper adjust
- Extended guides for product squaring • Two moveable separators
- Long lasting natural gum rubber feed belts • Variable speed control (local and remote) • Run enable interface • Heavy-duty construction
- Powder-coated steel frame • Adjustable product support rods



### Applications (ask us about your application)

- |            |          |               |
|------------|----------|---------------|
| Addressing | Coding   | Ink Jet Bases |
| Labeling   | Printing | Scanning      |
| Tabbing    |          |               |

### Products (ask us about your products)

- |             |                   |                  |
|-------------|-------------------|------------------|
| Sheet Paper | Backer Board      | Folded Documents |
| Manuals     | Collapsed Cartons | Folders          |
| Cardstock   | Envelopes         | Booklets         |
| Post Cards  | Brochures         | and more...      |



Specifications	
Maximum Product Size	14 W x 18 L in (355 x 457 mm)
Minimum Product Size	2.5 W x 3.0 L in (63.5 x 76.2 mm)
Min/Max Product Thickness	.003 - 1.00in (.076 - 25.4 mm)
Belt Speed	7800 in/min (198 m/min)
Utilities	115/230vac, 50/60Hz, 3A
Weight	47 lbs. (21.32 kg)
Warranty	Two year limited
<small>Other sizes and thickness capabilities available. Contact us for your application.</small>	

Footprint drawing available at:  
[www.streamfeeder.com/footprints.html](http://www.streamfeeder.com/footprints.html)  
or scan the QR Code



AMBEC | Fleetwood | Goldco | Nigrelli | Streamfeeder | SWF | Thiele

