

## Tagger with Stand (Specialty Packaging Feeders)

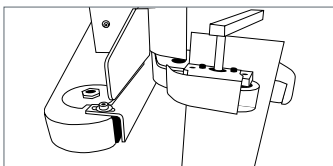
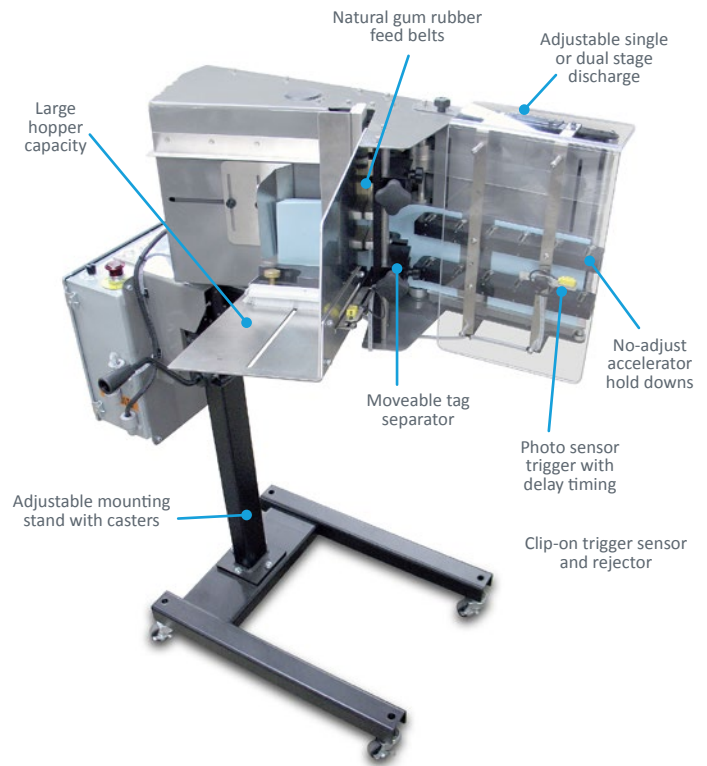
### Overview

The Series 125 Tagger is the ideal solution for increasing productivity on your bag seed and feed filling lines. The Tagger is designed to automatically dispense tags onto the filled bag as the bag enters the sewing machine. Tags can be applied long or short leading.

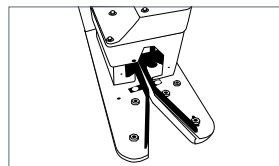
Ask us about coupon dispensers!

### Standard Features

- Small footprint and adjustable discharge angle allows the feeder to conform to production floor layouts and small work areas
- Patented Differential Friction Technology™ for accurate and consistent tag feeding
- Easily integrates with sewing machines manufactured by Union Special, Fischbein, and others



Use the single-stage discharge for infeeds like this



Use the dual-stage discharge for infeeds like this

### Specifications

Minimum Tag Size	4 W x 4 L in (102 x 102 mm)
Maximum Tag Size	11 W x 11 L in (279 x 279 mm)
Travel	Portrait and landscape
Belt Speed	Variable up to 75 feet/min (23 m/min)
Product Speed	Up to 60 tags/minute*
Utilities	115vac, 60Hz, 5A
Weight	75 lbs (34 kg)
Warranty	One year limited

\*Speed is based on tag length and belt speed.

Footprint drawing available at:  
[www.streamfeeder.com/footprints.html](http://www.streamfeeder.com/footprints.html)  
 or scan the QR Code



AMBEC | Fleetwood | Goldco | Nigrelli | Streamfeeder | SWF | Thiele