



LX-12, LX-20 Batching Tray System (Batch Counting)

Overview

Designed to replace manual counting, spearing, and weighing. Packed with unique features that make it the best value in the marketplace today. Capable of batching products up to 12" wide (LX12-BT) and products up to 20" wide (LX20-BT). Tool-less, quick make ready adjustments and versatility makes this the perfect semi-automatic batch counting feeder system for operations pursuing increased productivity at an affordable price.

Operates at the demand of the operator with batch sets up to 99 pieces or 3". Each time a batch is removed, the system will create the next. Finished sets can then be manually placed into banders, wrappers, and more for finishing.

Standard Features

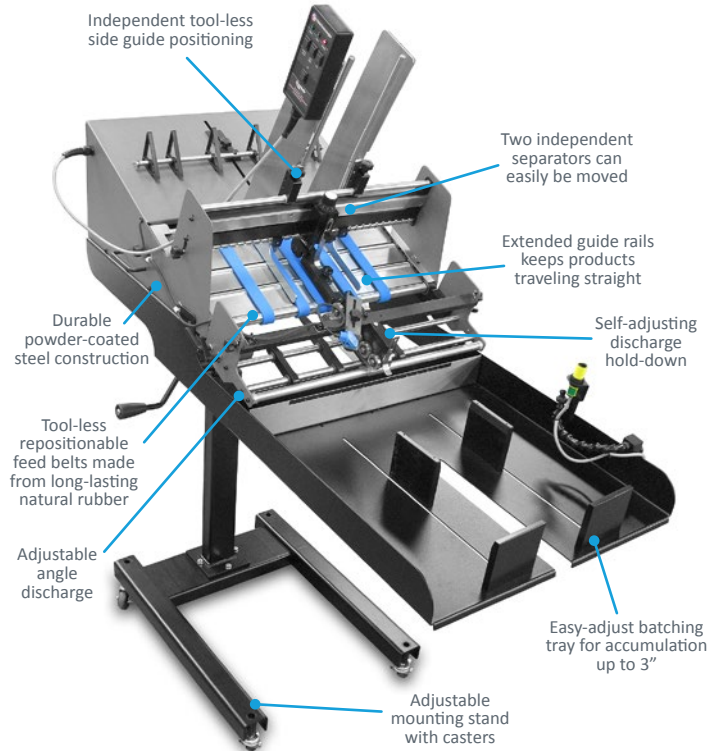
- Repositionable feed belts
- Independent side guide positioning
- Extended guide rails into the discharge to keep products traveling straight
- Two independent separators that can be easily repositioned throughout the width of the feeder and positioned on or off the belt for product separation
- Tool-less discharge angle adjustment
- Self-adjusting discharge hold down
- Variable speed control
- Batch counting up to 99 pieces
- Miss-detect fault output
- Timeout stop
- High performance photo sensors
- Two-wire host interface

Applications (ask us about your application)

- | | | |
|-----------------|-------------------|-----------|
| Shrink Wrappers | Flow Wrappers | Banders |
| Poly-baggers | Cartoners | Collators |
| Case Packers | Order Fulfillment | |

Products (ask us about your products)

- | | | |
|----------------------------|-----------------|-------------------|
| Sheet Paper | Backer Board | Folded Documents |
| Manuals | Literature Kits | Folders |
| Cardstock | Envelopes | Booklets |
| Retail Signage and more... | Brochures | Collapsed Cartons |



Specifications

Maximum Product Size	LX12-BT: 12 W x 18 L in (305 x 457 mm)
	LX20-BT: 20 W x 18 L in (508 x 457 mm)
Minimum Product Size	3.5 W x 4 L in (89 x 101.6 mm)
Min/Max Product Thickness	.003 - 1.0 in (.076 - 25.4 mm)
Belt Speed	4000 in/min (102 m/min)
Batch Size	Up to 3 inch stack (76 mm)
Utilities	115/230vac, 50/60Hz, 5A
Weight	LX20-BT: 99 lbs. (45 kg)
	Stand: 54 lbs. (24 kg)
Warranty	One year limited

Other sizes and thickness capabilities available. Contact us for your application.

Footprint drawing available at:
www.streamfeeder.com/footprints.html
or scan the QR Code



AMBEC | Fleetwood | Goldco | Nigrelli | Streamfeeder | SWF | Thiele

