



C-1250 Batching Tray System (Batch Counting)

Overview

Designed to replace manual counting, spearing, and weighing, the C-1250 Batching Tray System is packed with unique features that make it the best value in the marketplace today. Tool-less, quick make ready adjustments and versatility makes this the perfect semi-automatic batch counting feeder system for operations pursuing increased productivity at an affordable price.

Operates at the demand of the operator with batch sets up to 99 pieces or 3". Each time a batch is removed, the system will create the next. Finished sets can then be manually placed into banders, wrappers, and more for finishing.

Configurable Features

- Tower lamp
- Low stack detect
- Double sheet detect
- Large or small product side guides
- Advancing O-Ring Gate
- One knob hopper

Standard Features

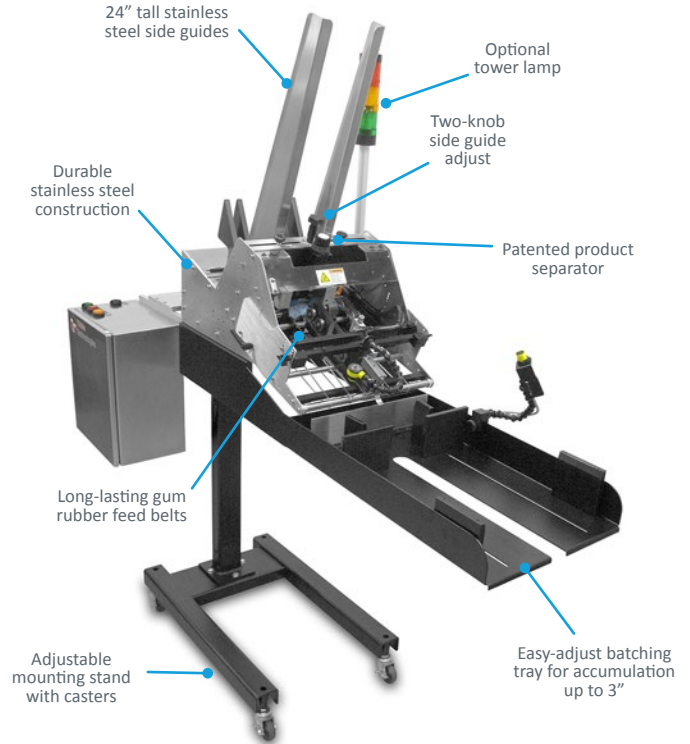
- Push button operator controls
- Long-lasting natural rubber feed belts
- Two-knob side guide positioning
- Miss-detect
- Timeout stop
- Photo-sensor trigger input
- Trigger delay

Applications (ask us about your application)

Shrink Wrappers	Flow Wrappers	Banders
Poly-baggers	Cartoners	Collators
Case Packers	Order Fulfillment	

Products (ask us about your products)

Sheet Paper	Backer Board	Folded Documents
Manuals	Literature Kits	Folders
Cardstock	Envelopes	Booklets
Retail Signage	Brochures	Collapsed Cartons
and more...		



Specifications	
Maximum Product Size	12 W x 14 L in (305 x 357 mm)
Minimum Product Size	3.5 W x 3.5 L in (89 x 89 mm)
Min/Max Product Thickness	.003 - .50 in (.076 - 12.7 mm)
Belt Speed	4000 in/min (101.6 m/min)
Batch Size	Up to 3 inch stack (76 mm)
Utilities	115/230vac, 50/60Hz, 3A
Weight	Feeder: 89 lbs. (40 kg); Stand: 54 lbs. (24 kg)
Warranty	One year limited
<small>Other sizes and thickness capabilities available. Contact us for your application.</small>	

Footprint drawing available at:
www.streamfeeder.com/footprints.html
or scan the QR Code



AMBEC | Fleetwood | Goldco | Nigrelli | Streamfeeder | SWF | Thiele

