



## Bump Turn (Print Fulfillment)

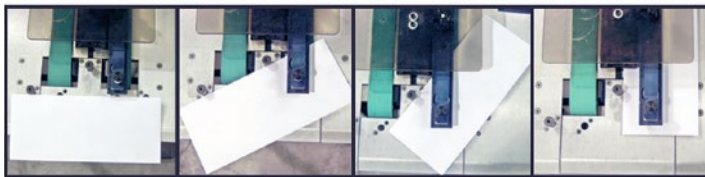
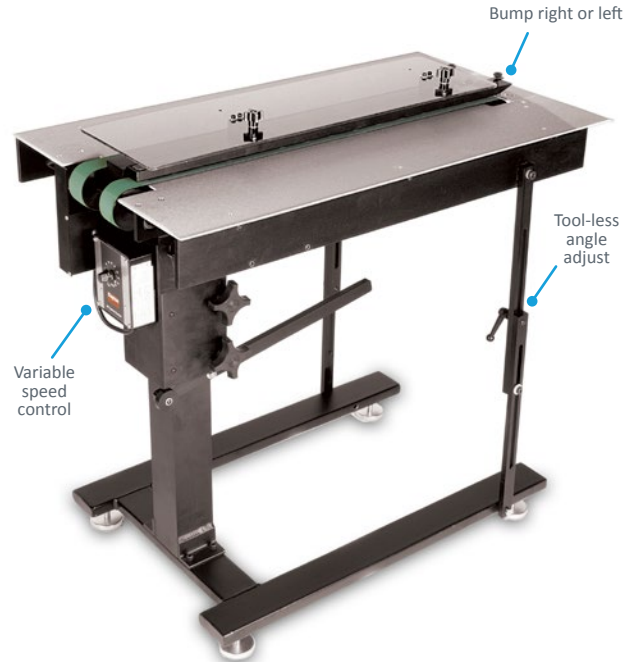
### Overview

#### Mail reorientation with a quick bump

The Bump Turn is a versatile stand-alone unit that takes product as it's originally presented and rotates it 90 degrees either right or left with a quick bump to create in-line applications. The Bump Turn, which can run up to 30,000 pieces/hour, interfaces with multiple types of equipment. Features include angle adjustments, left or right bump turning, variable speed and multi-bump positioning.

#### Bump Turn Advantages:

- Runs up to 30,000 pieces/hour
- Left or right bump option
- Adjustable multi-bump pin positioning
- Fast, simple integration
- Runs in-line with inkjets, tabbers, folders, stitchers/trimmers and more



Bump Turn's pre-bump pin starts transition.

Piece makes contact with first marble located on control rack which pulls the piece smoothly.

Bump Turn belt helps continue turning the product.

Once in position, the product is ready for ink jet or tabber.

Specifications	
Maximum Input Height	35 in (89 cm)
Minimum Input Height	21 in (53.34 cm)
Maximum Output Height	35 in (89 cm)
Minimum Output Height	32 in (81.28 cm)
Maximum Product Thickness	.125 in (3.175 mm)
Maximum Product Width	12 in (305 mm)
Speed	20 to 500 ft./min. (51 to 1270 cm/min.)
Utilities	120vac, 60Hz, 3A
Product Dimensions	19.5 W x 35.25 L x 33.25 H in
Weight	49.5 lbs. (22.45 kg)
Other sizes and thickness capabilities available. Contact us for your application.	

Footprint drawing available at:  
[www.streamfeeder.com/footprints.html](http://www.streamfeeder.com/footprints.html)  
or scan the QR Code



AMBEC | Fleetwood | Goldco | Nigrelli | Streamfeeder | SWF | Thiele

