



AutoStream Bulk Autoloader (Specialty Packaging Feeders)

Overview

Designed to increase productivity on Streamfeeder feeding lines where manual product loading is reducing system efficiency. The unique design provides a 6' long single, wide belt for easy loading of bulk product. The adjustable guides control the product as it travels into the hopper of the Streamfeeder feeder.

Consistently and automatically load a wide variety of flat and multi-thickness products into all Streamfeeder model feeders. The AutoStream P1 Autoloader can also be used to automatically load hoppers of other feeders including vacuum shuttle bases, inserters, and rotary drum feeders.

Standard Features

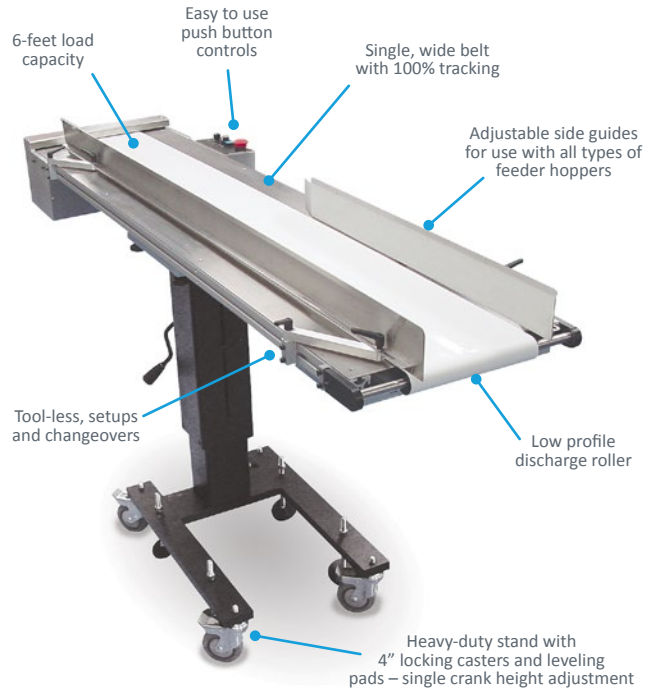
- Heavy-duty construction
- Tool-less setups and changeovers
- 100% tracking single wide belt design
- Stainless steel and powder-coated steel construction
- Heavy-duty mounting stand with locking casters
- Easy to use push button controls (can be mounted to either side)

Applications (ask us about your application)

- Inkjet Systems
- Tip-on System
- Inserters
- Batch Counting
- Collators

Products (ask us about your products)

- Sheet Paper
- Backer Board
- Folded Documents
- Manuals
- Collapsed Cartons
- Folders
- Cardstock
- Envelopes
- Booklets
- Post Cards
- Brochures
- and more...



Specifications

Maximum Product Size	12 W x 12 L in (305 x 305 mm)
Minimum Product Size	3.75 W x 5 L in (95 x 127 mm)
Min/Max Product Thickness	.003- 1.00+ in (.07- 25.4 mm)
Conveyor Speed	0-300 in/min (0-762 cm/min)
Utilities	115vac, 60Hz, 3A
Discharge Height	45-58 in (48-147 cm)
Warranty	One year limited
Other sizes and thickness capabilities available. Contact us for your application.	

Footprint drawing available at:
www.streamfeeder.com/footprints.html
or scan the QR Code



AMBEC | Fleetwood | Goldco | Nigrelli | Streamfeeder | SWF | Thiele

