

# Feeder/Dispenser



We Have Your Solution.™

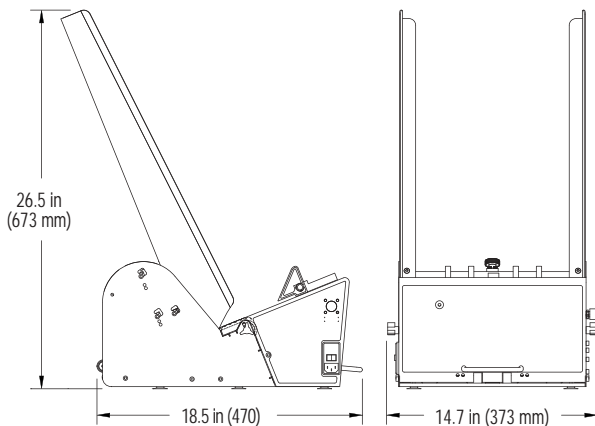
## VALUE SERIES Model V-710BC



### APPLICATIONS

- Collating
- Batch Counting
- Accumulating
- Kit Fulfillment
- Package Inserting
- Automatic Wrapping

### DIMENSIONS



### OVERVIEW

The V-710BC provides dependable one-shot feeding and batch count feeding of a wide variety of products. Ideal for collating and mail inserting applications that operate at speeds up to 100 cycles per minute. Simple tool-less adjustments for quick setups and changeovers.

### FEATURES

### ADVANTAGES

### BENEFITS

<b>Minimum Adjustment Points</b>	4 adjustment points for product changeover. Single knob adjustment.	Faster make-ready. Get more jobs out the door. Skilled operators not needed for changeovers.
<b>Thick Product Capability</b>	Feed products that are .003" -.75" thick.	Run more jobs on the same machine.
<b>Variable Angle Feed Belts</b>	Enhanced feeder performance.	Allows you to bid a wider spectrum of jobs.
<b>Light Weight Construction</b>	Portable.	Easy to move and setup.

### TECHNICAL DATA

<b>Maximum Product Size:</b>	12 W x 12 L in (305 x 305 mm)*
<b>Minimum Product Size:</b>	3.75 W x 3.75 L in (95 x 95 mm)
Optional:	2.5 W x 2.5 L in (63 x 63 mm)
<b>Min/Max Product Thickness:</b>	.003 - .75 in (.076-19 mm)
<b>Belt Speed:</b>	4000 in/min (101,600 mm/min)
<b>Batch Size:</b>	1-50 pieces
<b>Electrical Requirements:</b>	115/230vac, 50/60Hz, 3A
<b>Weight:</b>	43 lbs. (19.5kg)
<b>Warranty:</b>	One-year limited

\*Optional product size available

## Thiele Technologies

103 Osborne Road · Minneapolis, MN 55432-3131 · USA

t 763.502.0000 · f 763.502.0100 · www.streamfeeder.com · E-mail: sales@streamfeeder.com