



Pro Series - Feeder/Dispenser Model ST-550/ST-850

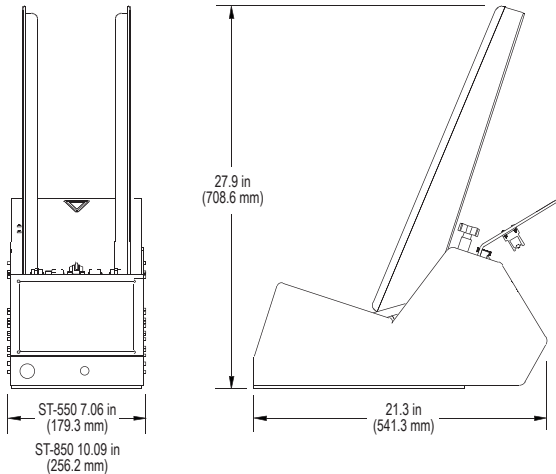


Overview:

The ST-550 and the ST-850 incorporates our IQipped™ intelligent system controller microprocessor in its stainless steel enclosure, giving you the flexibility of using it in stand-alone applications as well as integrating into other systems. The ST-550 and the ST-850 are capable of handling a wide variety of products, from single sheets to thick magazines.

Applications:

- Wrapper/cartoners infeed conveyors
- Stand-alone batch counting
- Collating systems
- Gripper arm inserters
- Pharmaceutical inserts



Features:

Minimal Adjustment Points

Advantages:

Three adjustment points for product change-over. Single knob adjustments.

Benefits:

Faster make-ready gets more jobs out the door. Skilled operators not needed for change-over.

Easy Remove Carriage

Carriage can be removed quickly and easily for belt changes.

Reduces down time for preventative maintenance.

Optional Vacuum Assist

Helps keep coated stock from slipping.

No struggling with coated or slick stocks.

Thick Product Capability

Feed product from .003" to 1.0".

More jobs can be run on the same machine.

I-Quipped Keypad/Display Control Interface

Ease of set up, operation, and monitoring of feeder.

Makes operator more productive in set up and operation of feeder.

Specifications

Maximum Product Size (ST-550):	5 W x 5.5 L in (127 x 139.7 mm)
Maximum Product Size (ST-850):	...	8.5 W x 8.5 L in (215.9 x 215.9 mm)
Minimum Product Size:	2 W x 2.5 L in (50.8 x 63.5 mm)
Optional (ST-550):	1 W x 2.5 L in (25.4 x 63.5 mm)
Min/Max Product Thickness:003 - 1 in (.0762-25.4 mm)
Belt Speed:	5500 in/min (140,000 mm/min)
Electrical Requirements:	115/230vac, 50/60Hz, 6A
Weight (ST-550):	69 lbs. (32kg)
Weight (ST-850):	71 lbs. (32.2kg)
Warranty:	One-year limited

315 27th Avenue NE · Minneapolis, MN 55418 · USA
(763) 502-0000 · www.streamfeeder.com · E-mail: sales@streamfeeder.com

Barry-Wehmiller

ACCRAPLY

Barry-Wehmiller
Company



pneumatic
SCALE ANGELUS

Thiele
Technologies

DESIGN GROUP

Barry-Wehmiller
International Resources

Hayssen Sandiacre

Marquip Ward United

Fleetwood Goldco Wyard